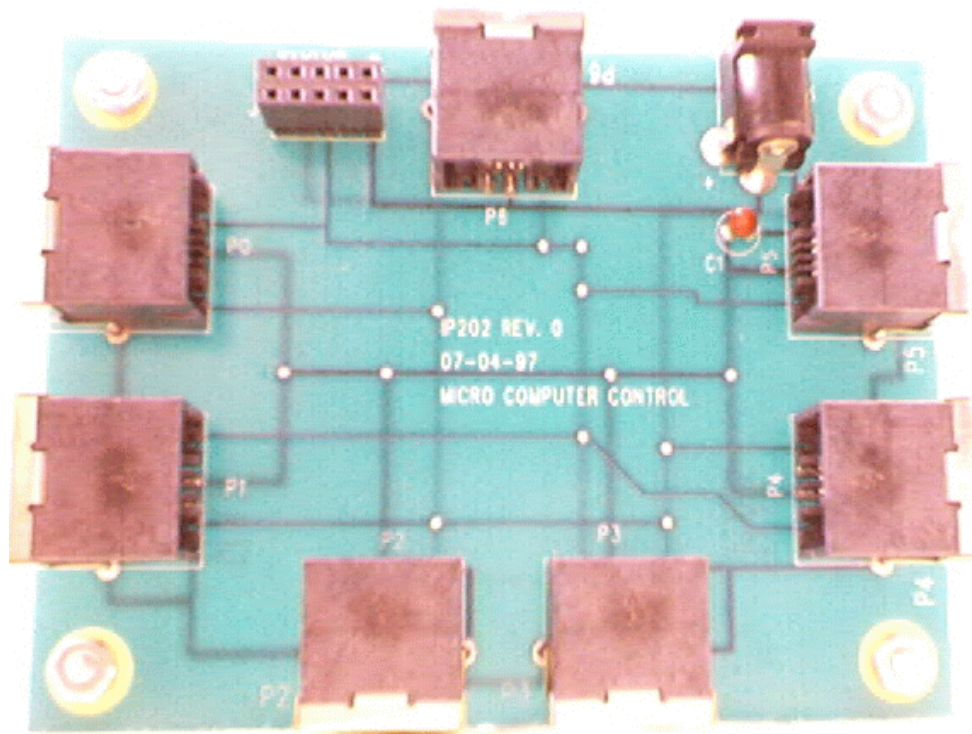


IP-202
I²C Bus Distribution Board
Revision 0/1



7 Port I²C Distribution Board

Model IP-202

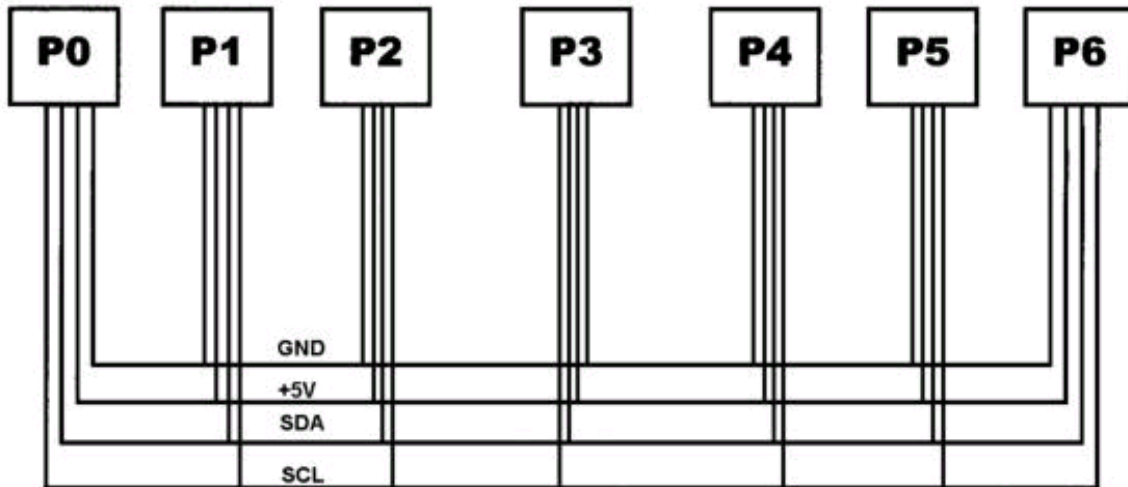
User's Guide

Overview

I²C Bus is the Inter-Integrated Circuit serial bus developed by Philips Semiconductor for inter-IC communications in consumer electronics products such as stereos, televisions, and VCRs. This highly efficient and cost effective communications link is now being adopted by leading technology companies worldwide for chip, board, and system level communications.

An I²C Bus network can support up to 127 Master or Slave devices with a simple 2-wire interface. I²C devices can be as simple as RAM, EEPROM, or I/O devices, or have the full-blown processing power of an embedded microcontroller or microprocessor.

The **IP-202** is a 7 Port I²C Bus Distribution Board that provides an easy way to interconnect multiple I²C Devices.



Key Features

- * 7-way I²C Bus Interconnect Device.
- * Built-in Power Jack can power Bus Devices.
- * Uses standard Moles SEMCONN™ ACCESS.bus Connector.
- * Provides Positive-Locking Quick Disconnect to I²C Devices.
- * Based on the iPack Stackable Board Format.
- * Supports Stacked or Remote board configurations.

Packing Slip

The **IP-202** I²C Bus Distribution Board includes the following items:

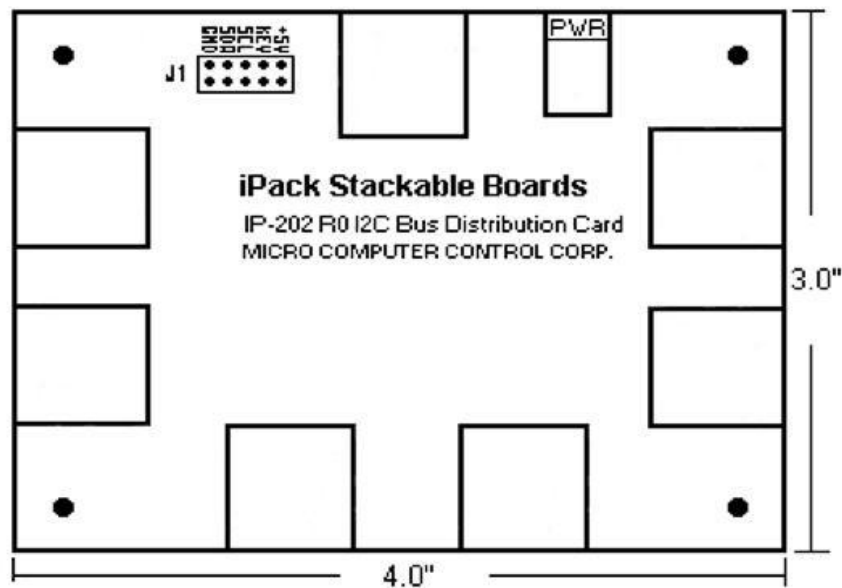
1. The IP-202 I²C Bus Distribution Board.
2. I²C Interface Cable (4Ft.)
3. Configuration Instructions.

Interconnects

The **IP-202** I²C Bus Distribution Board includes the following interconnections:

1. +5VDC Power

The IP-202 I²C Bus Distribution Board can optionally provide power to connected devices in one of three ways, from any I²C interface connector, from the iPack stacking connector (J1), or from the power jack.

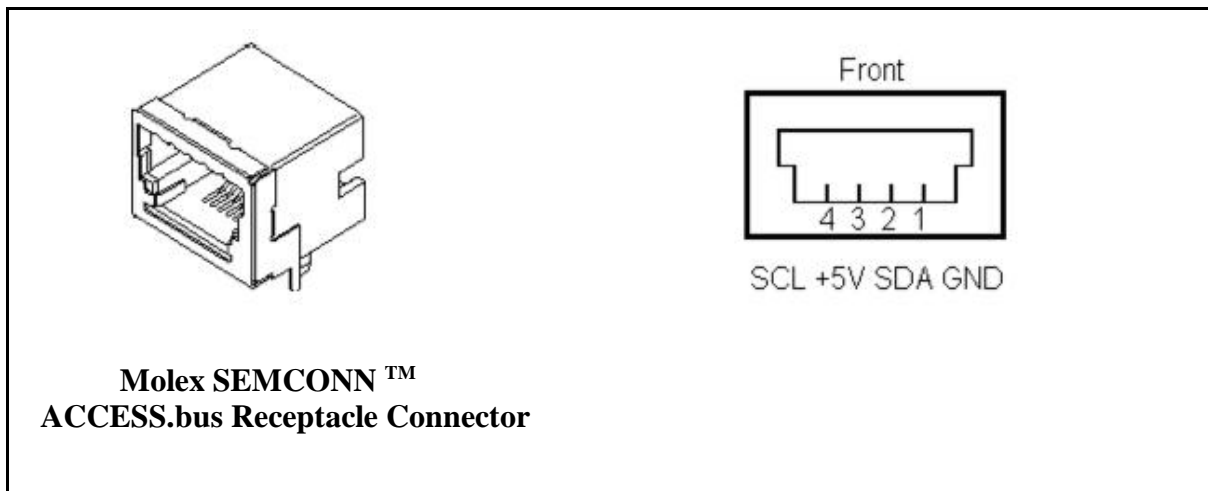


If the unit is powered from the power jack (J3), a +5VDC Wall Transformer (MCC Part# MWT-5VA) is required.

2. I²C Interface Connectors

The IP-202 I²C Bus Distribution Board includes one stackable connector (J1) and seven modular (P0, P1, P2, P3, P4, P5, P6) connectors (Molex Part#15-83-0064 Socket, #15-83-1564 Plug) for interfacing to external I²C Devices. Lines provided include:

1. I²C Clock (SCL)
2. I²C Data (SDA)
3. Ground
4. +5VDC (Optional)



I²C Interface Cables (MCC Part# CAB4) and Molex ACCESS.bus Receptacle Connectors (MCC Part# 15830064) are available from MCC.

TEL(609)466-1751 FAX (609)466-4116

For the latest product information, configuration availability, and technical tips visit our Web Site at:

<http://www.mcc-us.com>



Micro Computer Control Corporation
www.mcc-us.com
